

**6 VOLT**

**BG6V**



**SNAP-TOP BATTERY BOX.**

**ULTIMATE PROTECTION.**

**IMPACT RESISTANT**  
DOWN TO -20°F.

**RESISTANT TO**  
ACID, GAS, OIL, UV.



**NOCO**

30339 Diamond Parkway, #102  
Glenwillow, OH 44139 | USA  
1.800.456.6626

no.co

# ALL NEW DESIGN.

**REINFORCED  
STRUCTURE.**

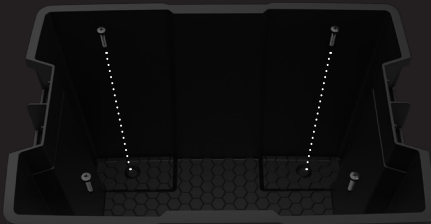
**IMPROVED  
LOCKING TABS.**

**HEAVY-DUTY  
HANDLES.**

**EASY INSTALLATION.  
MULTIPLE OPTIONS FOR INSTALLATION.**

## OPTION 1: DIRECT MOUNT

Use predetermined mounting locations to fasten box directly to mounting surface.



# MAXIMUM VERSATILITY.

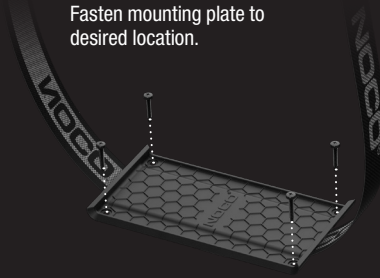
**MULTIPLE CABLE PORTS.**

Multiple cable ports offer easy installation for a variety of applications.

## OPTION 2: STRAP MOUNT

### STEP 1

Fasten mounting plate to desired location.

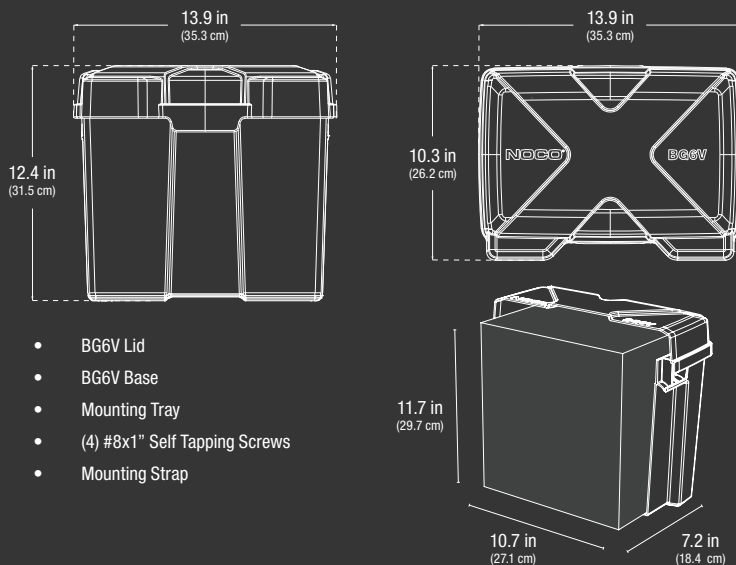


### STEP 2

Use strap to fasten box to mounting tray.



## WHAT'S IN THE BOX



## TECHNICAL SPECIFICATIONS

<b>BATTERY GROUP:</b>	6 Volt Batteries														
<b>WEIGHT:</b>	2.94 lbs (1.33kg)														
<b>CERTIFICATIONS:</b>	<ul style="list-style-type: none"><li>• Meets Coast Guard (USCG) Code of Federal Regulations 183.420.</li><li>• Meets American Boat and Yacht Council (ABYC) E-10.7.</li></ul>														
<b>VOLUMETRICS:</b>	<table><tr><td><b>Retail Packaging:</b></td><td><b>Master Carton:</b></td></tr><tr><td>Dimensions: 13.90" x 10.30" x 12.40"</td><td>Dimensions: 14.13" x 10.50" x 35.00"</td></tr><tr><td>Weight: 3.10 lbs</td><td>Weight: 19.19 lbs</td></tr><tr><td>UPC: 00046221220087</td><td>Quantity: 6</td></tr><tr><td></td><td>UCC: 10046221220084</td></tr><tr><td></td><td><b>Units Per Pallet:</b></td></tr><tr><td></td><td>150 Units</td></tr></table>	<b>Retail Packaging:</b>	<b>Master Carton:</b>	Dimensions: 13.90" x 10.30" x 12.40"	Dimensions: 14.13" x 10.50" x 35.00"	Weight: 3.10 lbs	Weight: 19.19 lbs	UPC: 00046221220087	Quantity: 6		UCC: 10046221220084		<b>Units Per Pallet:</b>		150 Units
<b>Retail Packaging:</b>	<b>Master Carton:</b>														
Dimensions: 13.90" x 10.30" x 12.40"	Dimensions: 14.13" x 10.50" x 35.00"														
Weight: 3.10 lbs	Weight: 19.19 lbs														
UPC: 00046221220087	Quantity: 6														
	UCC: 10046221220084														
	<b>Units Per Pallet:</b>														
	150 Units														

**NOCO**

30339 Diamond Parkway, #102  
Glenwillow, OH 44139 | USA  
1.800.456.6626

**NO.CO**