

GROUP 31

BG31



SNAP-TOP BATTERY BOX.

ULTIMATE PROTECTION.

IMPACT RESISTANT
DOWN TO -20°F.

RESISTANT TO
ACID, GAS, OIL, UV.



NOCO

30339 Diamond Parkway, #102
Glenwillow, OH 44139 | USA
1.800.456.6626

no.co

ALL NEW DESIGN.

**REINFORCED
STRUCTURE.**

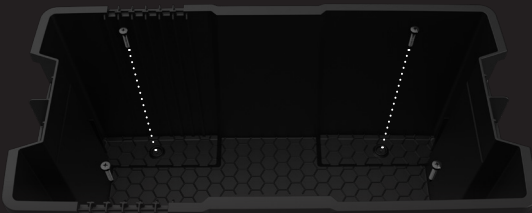
**IMPROVED
LOCKING TABS.**

**HEAVY-DUTY
HANDLES.**

**EASY INSTALLATION.
MULTIPLE OPTIONS FOR INSTALLATION.**

OPTION 1: DIRECT MOUNT

Use predetermined mounting locations to fasten box directly to mounting surface.



MAXIMUM VERSATILITY.

MULTIPLE CABLE PORTS.

Multiple cable ports offer easy installation for a variety of applications.

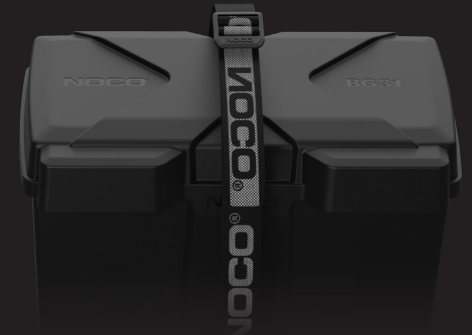
OPTION 2: STRAP MOUNT

STEP 1
Fasten mounting plate to desired location.

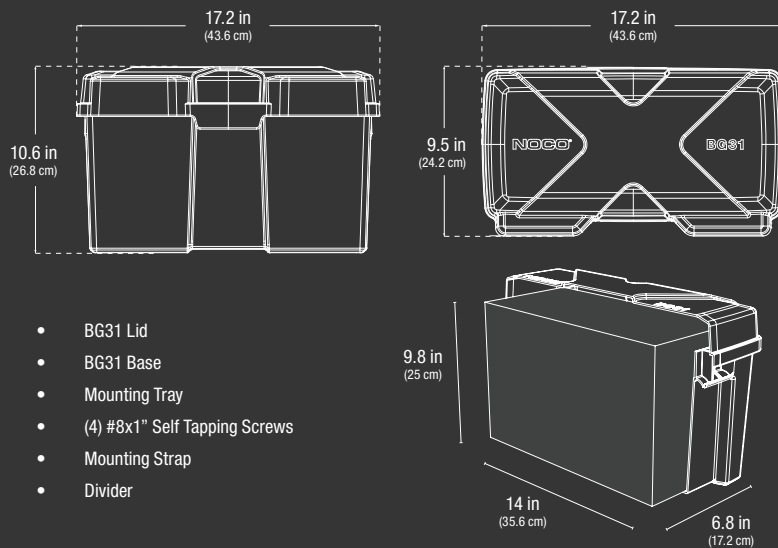


STEP 2

Use strap to fasten box to mounting tray.



WHAT'S IN THE BOX



TECHNICAL SPECIFICATIONS

BATTERY GROUP:	Group 31												
WEIGHT:	3.11 lbs (1.41kg)												
CERTIFICATIONS:	<ul style="list-style-type: none">• Meets Coast Guard (USCG) Code of Federal Regulations 183.420.• Meets American Boat and Yacht Council (ABYC) E-10.7.												
VOLUMETRICS:	<table><tr><td>Retail Packaging:</td><td>Master Carton:</td></tr><tr><td>Dimensions: 17.20" x 9.60" x 10.60"</td><td>Dimensions: 17.38" x 9.75" x 34.38"</td></tr><tr><td>Weight: 3.27 lbs</td><td>Weight: 20.25 lbs</td></tr><tr><td>UPC: 00046221220117</td><td>Quantity: 6</td></tr><tr><td></td><td>UCC: 10046221220114</td></tr><tr><td></td><td>Units Per Pallet: 150 Units</td></tr></table>	Retail Packaging:	Master Carton:	Dimensions: 17.20" x 9.60" x 10.60"	Dimensions: 17.38" x 9.75" x 34.38"	Weight: 3.27 lbs	Weight: 20.25 lbs	UPC: 00046221220117	Quantity: 6		UCC: 10046221220114		Units Per Pallet: 150 Units
Retail Packaging:	Master Carton:												
Dimensions: 17.20" x 9.60" x 10.60"	Dimensions: 17.38" x 9.75" x 34.38"												
Weight: 3.27 lbs	Weight: 20.25 lbs												
UPC: 00046221220117	Quantity: 6												
	UCC: 10046221220114												
	Units Per Pallet: 150 Units												

NOCO

30339 Diamond Parkway, #102
Glenwillow, OH 44139 | USA
1.800.456.6626

no.co