

**GROUP 27**

**BG27**



**SNAP-TOP BATTERY BOX.**

**ULTIMATE PROTECTION.**

**IMPACT RESISTANT**  
DOWN TO -20°F.

**RESISTANT TO**  
ACID, GAS, OIL, UV.



**NOCO**

30339 Diamond Parkway, #102  
Glenwillow, OH 44139 | USA  
1.800.456.6626

no.co

# ALL NEW DESIGN.

**REINFORCED  
STRUCTURE.**

**IMPROVED  
LOCKING TABS.**

**HEAVY-DUTY  
HANDLES.**

**EASY INSTALLATION.  
MULTIPLE OPTIONS FOR INSTALLATION.**

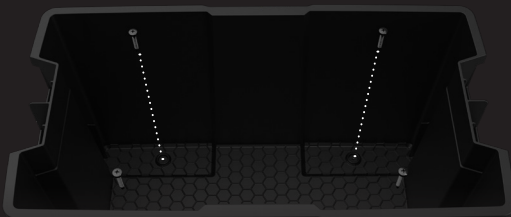
# MAXIMUM VERSATILITY.

**MULTIPLE CABLE PORTS.**

Multiple cable ports offer easy installation for a variety of applications.

## OPTION 1: DIRECT MOUNT

Use predetermined mounting locations to fasten box directly to mounting surface.



## OPTION 2: STRAP MOUNT

### STEP 1

Fasten mounting plate to desired location.

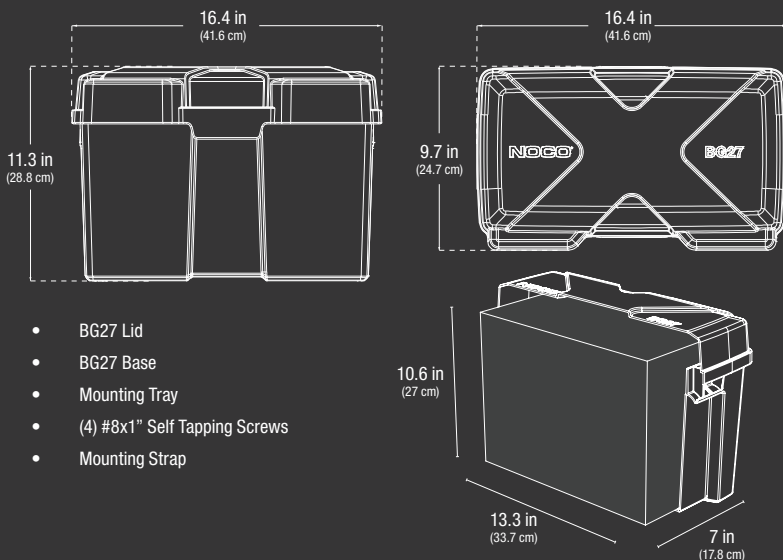


### STEP 2

Use strap to fasten box to mounting tray.



## WHAT'S IN THE BOX



## TECHNICAL SPECIFICATIONS

**BATTERY GROUP:**

Group 27

**WEIGHT:**

3.00 lbs (1.36kg)

**CERTIFICATIONS:**

- Meets Coast Guard (USCG) Code of Federal Regulations 183.420.
- Meets American Boat and Yacht Council (ABYC) E-10.7.

**VOLUMETRICS:**

**Retail Packaging:**

Dimensions:  
16.40" x 9.70" x 11.30"  
Weight: 3.16 lbs  
UPC: 00046221220100

**Master Carton:**

Dimensions:  
16.50" x 9.88" x 34.50"  
Weight: 19.85 lbs  
Quantity: 6  
UCC: 10046221220107

**Units Per Pallet:**  
150 Units

**NOCO**

30339 Diamond Parkway, #102  
Glenwillow, OH 44139 | USA  
1.800.456.6626

**no.co**