

12V | 7.8Ah

NLP30



# INSANE PERFORMANCE. LITHIUM POWERSPORT BATTERY.™

2X

MORE POWER.

10X

MORE STARTS.

5X

LONGER LIFE.

## DYNAMIC BMS.

Equipped with an auto-enabled, advanced battery management system that provides maximum protection, performance, and bi-directional cell equalization for long-lasting stability. No BMS reset needed.

## ACTIVE PROTECTION.

Protects against over-charge, extreme-heat, short-circuit, over-discharge, extreme-cold, and over-current.

## SHOCK ABSORPTION.

Designed with a custom rubber dampening base and foam inserts to extend the life of the battery and keep connections secure.



NOCO

30339 Diamond Parkway, #102  
Glenwillow, OH 44139 | USA  
1.800.456.6626

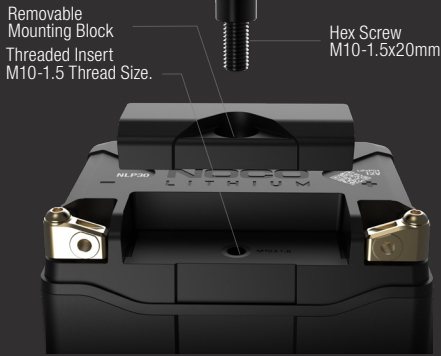
no.co

NOCO  
LITHIUM

NOCO

## UNIVERSAL MOUNTING.

Modular spacers can be added to alter the size and allow the battery to be safely and securely mounted. A removable mounting block allows the battery to fit more applications. The threaded insert enables direct-mounting for additional simplicity and security.



FEMALE.



SIDE.



TOP.



FRONT.



## MULTI-CONNECTION TERMINALS.

Equipped with premium IP66 waterproof copper PCB plates. NLP Terminals can be mounted from the front, side, or top, and can be removed altogether depending on the application.



## RAPID RECHARGE.

Use the Lithium mode on a Genius charger to fully recharge an NLP battery in minutes. See Genius models and charging times below.

## COMPATABLE SIZES.

### BCI SIZES

BTX30L-BS  
BTX30L

### YUASA SIZES

GYZ32HL  
YIX30L

### ETX SIZES

ETX30L



NLP30 Battery

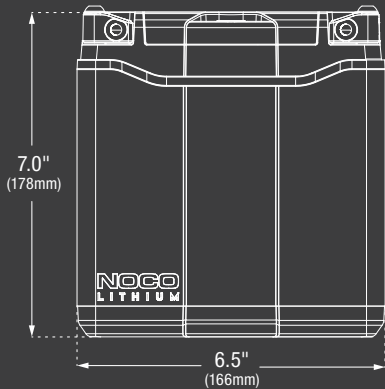
## RECHARGE TIME

GENIUS1	480 Minutes
GENIUS2	240 Minutes
GENIUS5	96 Minutes
GENIUS10	48 Minutes

## TECHNICAL SPECIFICATIONS

BCI SIZE:	30	
CHEMISTRY:	Lithium Iron Phosphate (LiFePO4)	
NOMINAL VOLTAGE:	12.8	
AMP-HOURS:	7.8	
WATT-HOURS (WH):	99.84	
STARTING CURRENT:	700	
CHARGING VOLTAGE (V):	14.6V	
CHARGING CURRENT (A):	24A (Max)	
OPERATING TEMPERATURE:	-20°C to 60°C	
CHARGING TEMPERATURE:	-10°C to 50°C	
STORAGE TEMPERATURE:	-20°C to 60°C	
LITHIUM CONTENT:	9.36 g	
INTERNAL BATTERY WEIGHT:	2.37 lbs (1.08 kg)	
WEIGHT:	5.0 lbs (2.27kg)	
VOLUMETRICS:	<b>Retail Packaging:</b> Dimensions: 7.83" x 3.7" x 8.15" Weight: 5.24 lbs UPC: 0-46221-19010-6	<b>Master Carton:</b> Dimensions: 16.73" x 8.98" x 8.82" Weight: 22.70 lbs Quantity: 4 UCC: 10046221190073
	<b>Inner Carton:</b> Dimensions: 8.50" x 8.15" x 4.06" Weight: 5.48 lbs	<b>Units Per Pallet:</b> 160 Units

## WHAT'S IN THE BOX



LxWxH  
6.5" x 5.0" x 7.0"  
(166mm x 126mm x 178mm)

\*Accessories not to scale with NLP30

M6 Hex Screw  
1mm x 8mm



M6 Hex Screw  
1mm x 10mm



M10 Hex Screw  
1.5mm x 20mm



User Guide



Hex Key



**NOCO**

30339 Diamond Parkway, #102  
Glenwillow, OH 44139 | USA  
1.800.456.6626

no.co

