

12V

2000A

GB70



START DEAD BATTERIES. ULTRASAFE® LITHIUM JUMP STARTER.™

GAS & DIESEL

UP TO 8.0L GAS & 6.0L DIESEL.

Designed for gas engines up to 8 liters and diesel engines up to 6 liters for cars, SUVs, trucks, boats, RVs, and more.

USB

CHARGE & RECHARGE.

It's internal battery can be used to recharge any personal mobile devices like smartphones, tablets, or any other USB device, and can be recharged by any powered USB port.

40X

UP TO 40 JUMPSTARTS.

Compact, yet powerful lithium jump starter rated at 2,000 amps. Full power to jump start a vehicle up to 40 times on a single charge.

ULTRA SAFE

SPARK PROOF TECHNOLOGY.

Safely connect to any 12-volt car battery with our mistake-proof design featuring spark-proof technology and reverse polarity protection.



30339 Diamond Parkway, #102
Glenwillow, OH 44139 | USA
1.800.456.6626

no.co



AUTO | MARINE | RV | POWERSPORT | LAWN & GARDEN



INTERFACE

POWER LED

The jump starter is in standby or the battery voltage is too low for the jump starter to detect.



POWER BUTTON

Push to turn unit "On" & "Off".



CHARGE LED

Indicates the charge level of the internal battery.



BOOST LED

Illuminates white when boost is active. The LED flashes white when manual override feature is active.



LIGHT MODE BUTTON

Toggles the ultra-bright LED light through 7 light modes: 100% > 50% > 10% > SOS > Blink > Strobe > Off



ERROR

Blinks "on" and "off" when the internal battery is too hot/too cold.

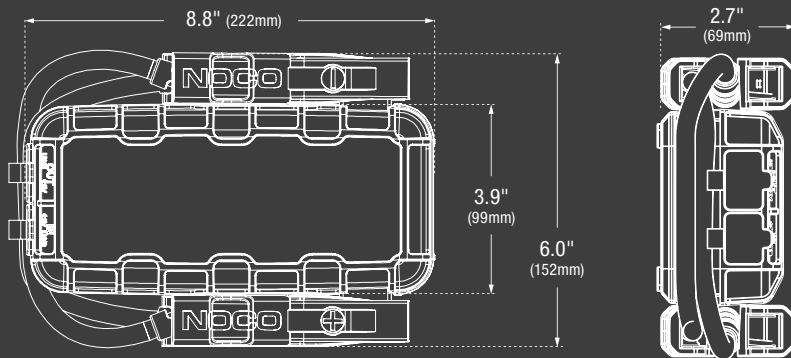


MANUAL OVERRIDE.

Press and hold the manual override button for 3 seconds, until the Boost LED starts flashing, to enter into manual mode.



WHAT'S IN THE BOX



*Accessories not to scale with GB70



XGC Extension Cable



USB-C



User Guide



XGC 12V Male Adapter



XGC 12V Female Adapter



Microfiber Storage Bag

RECHARGE TIME

0.5A	28hr
1A	14hr
2A	7hr

TECHNICAL SPECIFICATIONS

INTERNAL BATTERY:	56 Watt-Hour Lithium Ion
PEAK CURRENT RATING:	2000A
OPERATING TEMPERATURE:	-4°F to +122°F (-20°C to +50°C)
CHARGING TEMPERATURE:	32°F to +104°F (0°C to +40°C)
USB (INPUT):	5V, 2.1A
USB (OUTPUT):	5V, 2.1A
XGC (INPUT):	12 VDC, 3A Fast Charge
XGC (OUTPUT):	12 VDC, 15A Power Supply
HOUSING PROTECTION:	IP65 (w/Ports Closed)
COOLING:	Natural Convection
UNIT WEIGHT:	4 lbs (1.81kg)
UNIT WEIGHT W/ CLAMPS & ACCESSORIES:	5 lbs (2.26kg)
LED FLASHLIGHT:	400 Lumens
VOLUMETRICS:	<p>Retail Packaging: Dimensions: 7.28"x4.84"x9.80" Weight: 5.09lbs UPC: 0-46221-15005-6</p> <p>Master Carton: Dimensions: 15.98"x10.83"x11.50" Weight: 22.60lbs Quantity: 4 UCC: 10046221150053</p> <p>Inner Carton: Dimensions: 10.27"x7.72"x5.39" Weight: 5.44lbs</p> <p>Units Per Pallet: NA - 180 Units EU - 120 Units</p>

NOCO

30339 Diamond Parkway, #102
Glenwillow, OH 44139 | USA
1.800.456.6626

no.co

