

BT24S

Group **24**
Batteries

Battery Tray



Side View

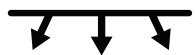


Quarter View

Impact, UV, And Contaminant Resistant.

All NOCO battery trays meet US Coast Guard Code (USCG) of Federal Regulations.

Extremely rugged, structurally reinforced battery trays that provide uncompromising protection for any battery application. Perfect for installation in a car, truck, tractor, utility vehicle, snow blower, snowmobile, lawn/garden equipment or generator equipment.



IMPACT
Resistant

Structurally enhanced battery storage solution that maintains its tough impact properties down to -20 degrees Fahrenheit.

UV

Resistant

Designed with UV inhibitors and color stabilizers to prevent structure degradation, and color fading.

Made In
USA

We strive to create only the best. Every NOCO battery tray is designed, engineered, and made in the USA.

Durable
SAFE
SECURE

Meets the USCG Code of Federal Regulations 183.420 and the ABYC's E-10.7 code requirements.

Designed For A Single Group 24 Battery

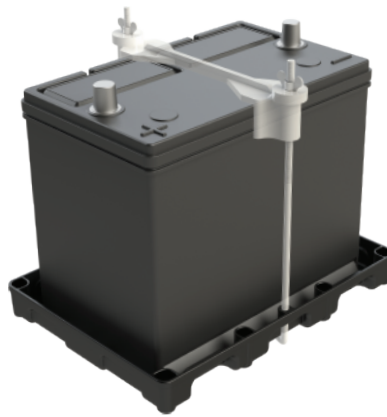
The NOCO Company
30339 Diamond Parkway, #102
Glenwillow, OH 44139 | USA
1.800.456.6626

no.co

NOCO
Since 1914



Extreme-duty battery tray for automotive, marine, RV batteries and more; designed for a single group 24 battery.



Compatible with most universal J-Bolts for securely fastened battery mounting.



Military grade battery hold-down strap; 42 inches water resistant nylon webbing and heavy-duty buckle withstands a tensile load of over 120 kilograms force.



Battery Reservoir

Ultimate Protection.

Designed for full-flow ventilation and collection of spilled electrolytes, its reservoir is acid-resistant for safely capturing spilled battery acid.

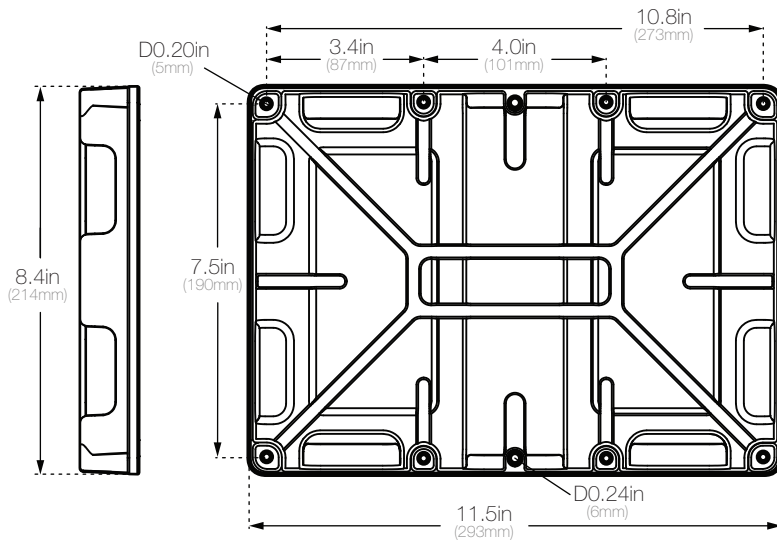
About Coast Guard Regulations

The US Coast Guard maintains strict regulations on the storage of batteries. Batteries on-board boats must **not move more than one inch** in any direction surrounding the battery and only one inch in the vertical direction.

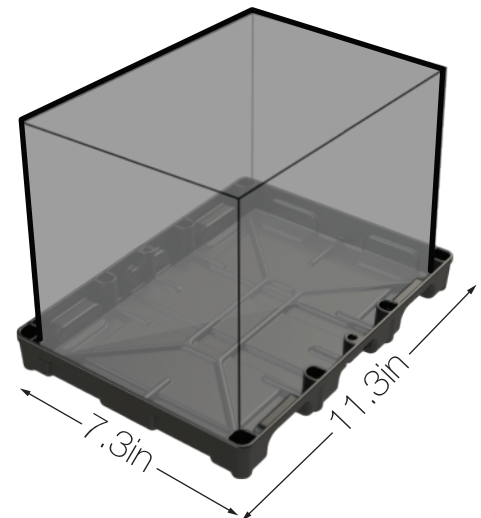
Battery Size Specifications

Min. Size: 10.3 (L) x 6.3 (W)

Max. Size: 11.3 (L) x 7.3 (W)



Internal capacity.



Technical Specifications

What's Included: Battery Tray, 42in. Strap, Hardware

Battery Size: Group 24 Batteries

Internal Dimensions: 11.3 (L) x 7.3 (W) x 1.2 (H) in.

External Dimensions: 11.5 (L) x 8.4 (W) x 1.3 (H) in.

Product Weight: 0.4 lbs