

12V | 90Ah

NLX24



GROUP 24 DUAL-PURPOSE LITHIUM BATTERY.

DUAL-PURPOSE.

MORE STARTING POWER. LONGER RUN TIME.

The most highly-designed and engineered lithium dual-purpose battery series ever. Featuring an active BMS with more starting power, safety, longer run time, and universal fitment.

DEEP CYCLE + STARTER

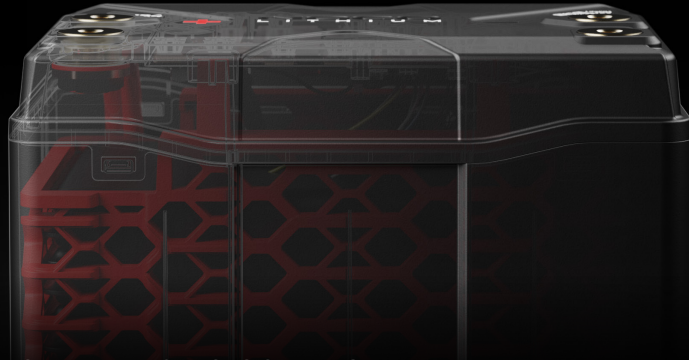
NOCO

30339 Diamond Parkway, #102
Glenwillow, OH 44139 | USA
1.800.456.6626
NO.CO

ADVANCED DESIGN.

UNRELENTING RELIABILITY.

A beautifully functional design that provides unrelenting reliability. Built around an engineered plastic shell, then secured by a honeycomb lattice structure, NLX can tackle even the most demanding environments.



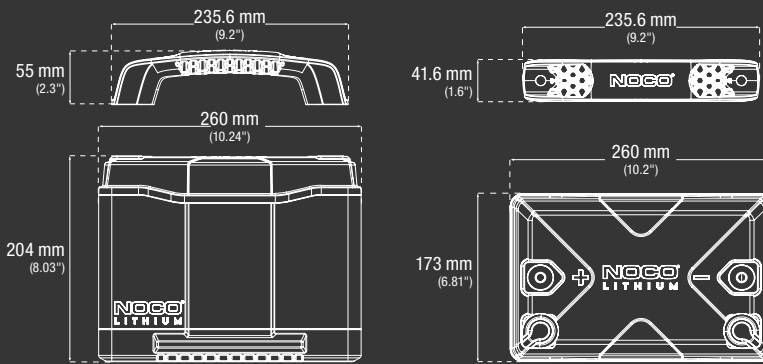
MORE WAYS TO CONNECT.

FLEXIBLE TERMINAL OPTIONS.

NLX Terminals offer versatile customization options to fit your dual purpose needs across various applications.



WHAT'S IN THE BOX



*Accessories not to scale with NLX24



(4) Terminal Covers



(2) Terminal Caps



(2) 3/8"-24 Nuts



(2) 3/8"-24 Threaded Terminals



Positive and Negative SAE Terminals



(2) 5/16"-24 Nuts



(2) 3/8"-24 x 5/16"-24 Threaded Terminals



(2) 3/8"-24 x 9/16" Terminal Bolts



User Guide



7/32" Hex Key



RAPID RECHARGE.

Use the Lithium mode on a Genius charger to fully recharge an NLX battery in minutes. See Genius models and charging times below.

RECHARGE TIME

GENIUS10	9 hours
GENIUSPRO25	3.6 hours
GENIUSPRO50	1.8 hours

TECHNICAL SPECIFICATIONS

BCI SIZE:	Group 24	
CHEMISTRY:	Lithium Iron Phosphate (LiFePO4)	
NOMINAL VOLTAGE:	12.8V	
AMP-HOURS:	90Ah	
WATT-HOURS:	1152Wh	
STARTING CURRENT:	1200A	
CHARGING VOLTAGE:	14.6V	
CHARGING CURRENT:	90A	
OPERATING TEMPERATURE:	-4° to 122°F (-20°C to 50°C)	
CHARGING TEMPERATURE:	14° to 122°F (-10°C to 50°C)	
STORAGE TEMPERATURE:	-4° to 122°F (-20°C to 50°C)	
WEIGHT:	24 lbs (10.89kg)	
VOLUMETRICS:	Master Carton:	Units Per Pallet:
	Dimensions:	60 units
	Weight: 28.02 lbs	
	Quantity: 1	
	UPC: 0-46221-22002-5	
	UCC: 0004622122025	



30339 Diamond Parkway, #102
 Glenwillow, OH 44139 | USA
 1.800.456.6626

no.co

