

GENIUS5 6V & 12V 5A



Auto | Marine | RV | Powersport | Lawn & Garden

NOCO genius[®] 5™ BATTERY CHARGER™ + MAINTAINER



EVERYTHING CHARGER.

Do more with Genius. Multi-voltage, chemistries, and types.

Meet the GENIUS5 - Similar to our G3500, just better. It's 34% smaller and delivers over 65% more power. And it's simpler and easier to use than ever before. Plug-in, connect to the battery, select a charge mode, and start charging your battery. A fully-automatic, worry-free battery charger for year-round use. Designed for 6-volt and 12-volt lead-acid automotive, marine, and deep-cycle batteries, including flooded, gel, AGM, maintenance-free, and lithium-ion batteries.



CHARGE DOWN TO ZERO VOLTS.

Charge dead batteries as low as 1-volt. Or use the all-new Force Mode that allows you to take control and manually begin charging dead batteries down to zero volts.



BRING BATTERIES BACK TO LIFE.

Built-in desulfation mode for the most corroded batteries. Auto detection with smart diagnostic indicators starts a Repair Mode integrated within a 9-step charging profile.



THERMAL COMPENSATION.

An integrated thermal sensor detects the ambient temperature and alters the charge to eliminate over-charging in hot climates and under-charging in cold climates.



24/7 WORRY-FREE CHARGING.

Provides all-season, all-weather charging for a healthy battery. Leave plugged in 24/7 with no worries of overcharging. Automatically returns to its last selected mode.

NOCO
30339 Diamond Parkway, #102
Glenwillow, OH 44139 | USA
1.800.456.6626

no.co

NOCO[®]

WHAT'S IN THE BOX.

56" (142.24cm)

85" (217cm)



Charger +
Interchangeable
Connector

Battery Clamps +
Integrated Eyelets

21"
(55cm)



Mounting Bracket + Strap



(2) #8x1" Self-tapping
Screws



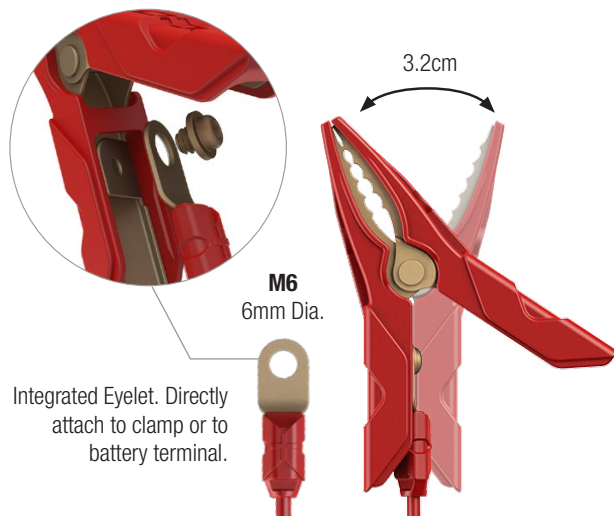
User Guide

NOCO Patented Technology

Patented: visit no.co/patents

Maximum Versatility.

Genius clamps are built with needle-nose profiles for smaller terminal applications and detachable integrated eyelets for permanently mounting the accessory to the battery.



Technical Specifications

Line Voltage AC:	120-240 VAC, 50-60Hz	DC Cable Length:	77.6 Inches
Output Power:	75 Watts Max	AC Cable Length:	71.7 Inches
Charging Voltage:	Various	Back Current Drain:	<0.5mA
Charging Current:	5A (12V), 5A (6V)	Battery Capacity:	Up to 120Ah, Maintains All Battery Sizes
Chemistry:	Lead-Acid and Lithium	Housing Protection:	IP65
Operating Temperature:	-4° to 104° F (-20° to +40° C)	Dimensions (LxWxH):	4.6 x 2.9 x 1.9 Inches
Storage Temperature:	-22° to 140° F (-30° to +60° C)	Unit Weight:	1.5 lbs
Low-Voltage Detection:	1V (12V), 1V (6V)	Cooling:	Natural Convection

Charging Times

(for reference, results may vary)

Battery Size	Approx. Charge Time in Hours	
	6V	12V
20Ah	3	3
40Ah	6	6
80Ah	12	12
100Ah	15	15
120Ah	18	18

WHAT'S IN THE BOX.

- GENIUS5 Battery Charger w/ Interchangeable Connector
- Clamps w/ Integrated Eyelets
- Mounting Bracket w/ Strap
- (2) Self-Tapping Screws
- User Guide & Warranty Information

Retail Packaging:

Dimensions: 4.61" x 3.43" x 7.95"
Weight: 1.59lbs
UPC: 0-46221-19004-5

Inner Carton:

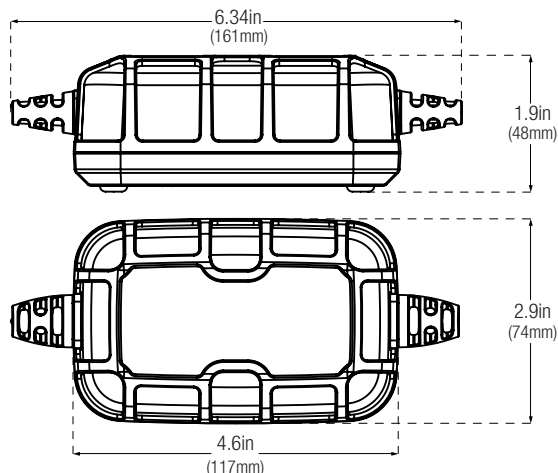
Dimensions: 4.84" x 3.70" x 8.19"
Weight: 1.75lbs

Master Carton:

Dimensions: 17.10" x 11.97" x 5.51"
Weight: 11.31lbs
Quantity: 6
UCC: 10046221190042

Units Per Pallet:

NA - 336 Units
International - 252Units



NOCO

30339 Diamond Parkway, #102
Glenwillow, OH 44139 | USA
1.800.456.6626

no.co

NOCO®