

12V

1750A

GBX55



EXTREME POWER. ULTRASAFE[®] LITHIUM JUMP STARTER.™

GAS & DIESEL

7.5L GAS & 5.0L DIESEL.

Designed for gas engines up to 7.5 liters and diesel engines up to 5.0 liters for small diesel cars, SUVs, boats, trucks, ATVs, motorcycles and more.

0% TO BOOST

FAST CHARGE.

Boost X is equipped with USB-C technology that, combined with power delivery, gives you lightning-fast recharges. Completely recharge Boost X in less time, or go from 0% to jump starting in just 5-minutes of charge.



60-SECOND TIMEOUT.

An automatic power conservation feature. Start vehicle within 60 seconds. After the 60-second timeout is complete, the unit must be powered off, then back on, to initiate a new jump-start sequence.

2.0

ULTRASAFE 2.0.

We took our UltraSafe technology and made it better. It's still our simple, mistake-free design featuring spark-proof technology and reverse polarity protection, but with enhanced thermal efficiency and power management to provide better performance and longer battery life.



NOCO

30339 Diamond Parkway, #102
Glenwillow, OH 44139 | USA
1.800.456.6626

no.co

LEAD ACID



AUTO | MARINE | RV | POWERSPORT | LAWN & GARDEN



INTERFACE

POWER LED

The charger is in standby or the battery voltage is too low for the charger to detect.



FAST CHARGE

Illuminates white when fast charge is active. Fast charge LED turns red (solid/blinking) when there is an error.



REVERSE POLARITY

Charger is connected to the battery in reverse. Reverse the connections.



ERROR

Blinks "on" and "off" in various sequences (from 1 to 6 blinks) to convey error conditions.



COLD INDICATOR

Illuminates solid or flashes blue when internal temperature is too low.



CHARGE LED

Indicates the charge level of the internal battery.



HOT INDICATOR

Illuminates solid or flashes red when internal temperature is too high.



BOOST LED

Illuminates white when boost is active. The LED flashes white when manual override feature is active.



CHARGE DEVICES.

Power everything. With USB-C Power Delivery, you have the power to charge almost everything. Its internal power bank provides 60-watts of power—both in and out—to effortlessly power our favorite USB-C devices, like phones, tablets, laptops, wearables, and more.

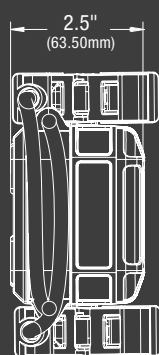
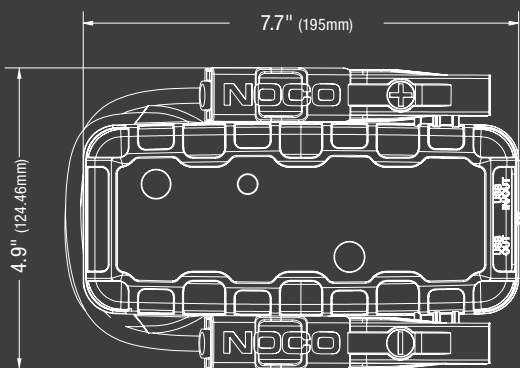
RECHARGE TIME

| | |
|------|------|
| 28h | 2.5W |
| 14h | 5W |
| 7.2h | 10W |

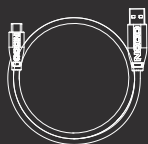
TECHNICAL SPECIFICATIONS

| | |
|------------------------|--|
| INTERNAL BATTERY: | 46 Wh Lithium Ion |
| PEAK CURRENT RATING: | 1750A |
| OPERATING TEMPERATURE: | -4°F to +122°F (-20°C to +50°C) |
| CHARGING TEMPERATURE: | 32°F to +104°F (0°C to +40°C) |
| USB-C (IN): | 5V (1.5A/9V 3A/12V 3A/15V 3A/20V 3A) |
| USB-C (OUT): | 5V (3A/9V 3A/12V 3A/15V 3A/20V 3A) |
| USB (OUT): | 5VDC 2.1A Max / 10 W Max |
| HOUSING PROTECTION: | IP65 (w/Ports Closed) |
| COOLING: | Natural Convection |
| WEIGHT: | 2.58 lbs (1.17kg) |
| LED FLASHLIGHT: | 200 Lumens |
| VOLUMETRICS: | Retail Packaging: Dimensions: 3.94" x 6.34" x 9.13" Weight: 3.37 lbs UPC: 0-46221-20007-2 |
| | Master Carton: Dimensions: 9.92" x 20.47" x 9.53" Weight: 22.64 lbs Quantity: 6 UCC: 10046221200079 |
| | Inner Carton: Dimensions: 4.33" x 9.49" x 6.57" Weight: 3.57 lbs |
| | Units Per Pallet: 234 Units |

WHAT'S IN THE BOX



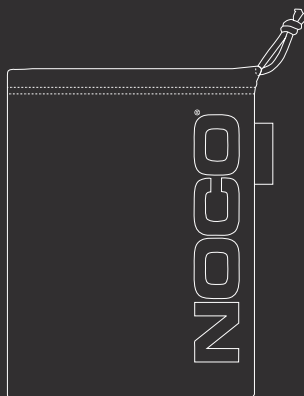
*Accessories not to scale with GBX55



24in USB-A to USB-C Cable



User Guide



Microfiber Storage Bag

NOCO

30339 Diamond Parkway, #102
Glenwillow, OH 44139 | USA
1.800.456.6626

no.co

