

GBC014

For GB70

NOCO BOOST[®]HD[™] PROTECTIVE CASE



RUGGED STORAGE.

Designed and made exclusively to fit Boost UltraSafe[®] Jump Starters.

The lightweight, durable, and rugged GBC014 EVA Protective Case has a semi-rigid custom exterior with zipper closures and a reinforced handle. The rubberized EVA exterior offers protection from moisture, impact, dust, and other environmental factors, while the molded interior perfectly fits, stores, and protects its corresponding NOCO[®] Boost jump starter, the GB70.



Made of thermoformed EVA, the lightweight and durable molded exterior has a water resistant, rubber-like finish.

Heavy-duty reverse coil zipper with built-in reinforced handle and custom over-molded pull tab.



Boost insert molded tray interior with soft black melange velvet lining for secure fit.

Reinforced pockets for securely holding clamps, extensions or other accessories.



NOCO
30339 Diamond Parkway, #102
Glenwillow, OH 44139 | USA
1.800.456.6626

no.co

NOCO[®]

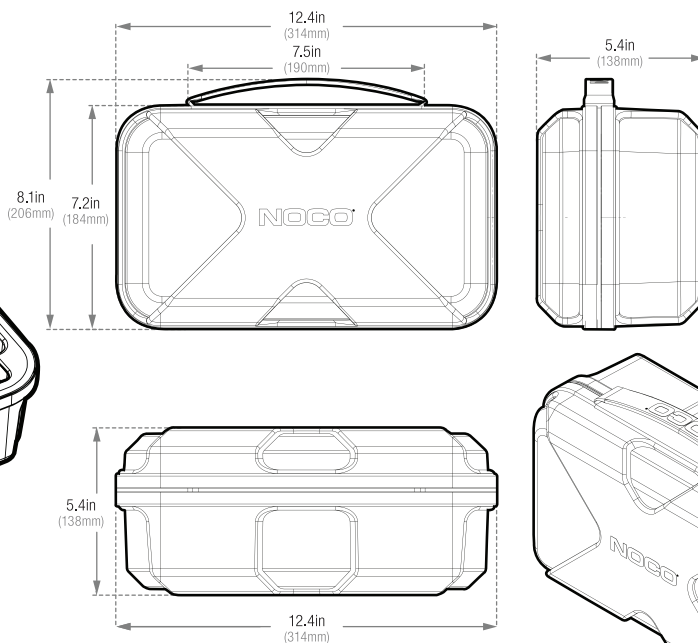
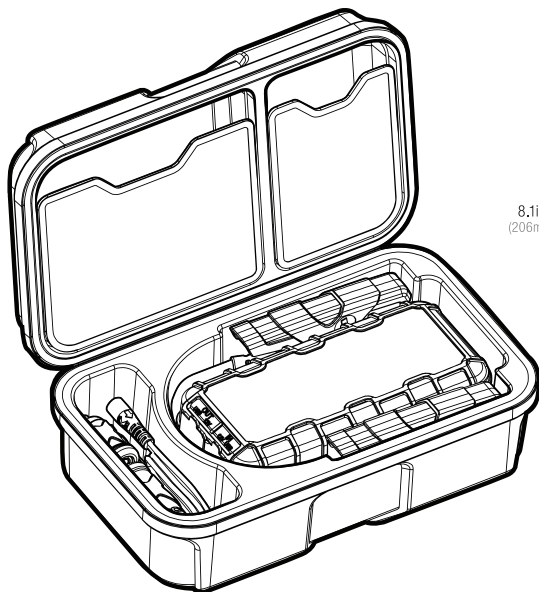
GBC014

Clamp & Accessory Pocket

Fits Additional Accessories

Fits GB70 BOOST HD™

*Boost & Accessories Not Included



Retail Packaging:

Dimensions: 12.4" x 8.1" x 5.4"
Weight: 1.4lbs
UPC: 0-46221-17028-3

Master Carton:

Dimensions: 16.4" x 12.7" x 11.3"
Weight: 8.3lbs
Quantity: 4
UCC: 10046221170280

Inner Carton:

Dimensions: 12.4" x 8.1" x 5.4"
Weight: 1.7lbs

Units Per Pallet:

180 Units