

GBC013

For GB20 | GB40

NOCO BOOST[®] SPORT[™]/PLUS[™] PROTECTIVE CASE



RUGGED STORAGE.

Designed and made exclusively to fit Boost UltraSafe[®] Jump Starters.

The lightweight, durable, and rugged GBC013 EVA Protective Case has a semi-rigid custom exterior with zipper closures and a reinforced handle. The rubberized EVA exterior offers protection from moisture, impact, dust, and other environmental factors, while the molded interior perfectly fits, stores, and protects its corresponding NOCO[®] Boost jump starter, the GB20 & GB40.



Made of thermoformed EVA, the lightweight and durable molded exterior has a water resistant, rubber-like finish.

Heavy-duty reverse coil zipper with built-in reinforced handle and custom over-molded pull tab.



Boost insert molded tray interior with soft black melange velvet lining for secure fit.

Reinforced pockets for securely holding clamps, extensions or other accessories.



NOCO
30339 Diamond Parkway, #102
Glenwillow, OH 44139 | USA
1.800.456.6626

no.co

NOCO[®]

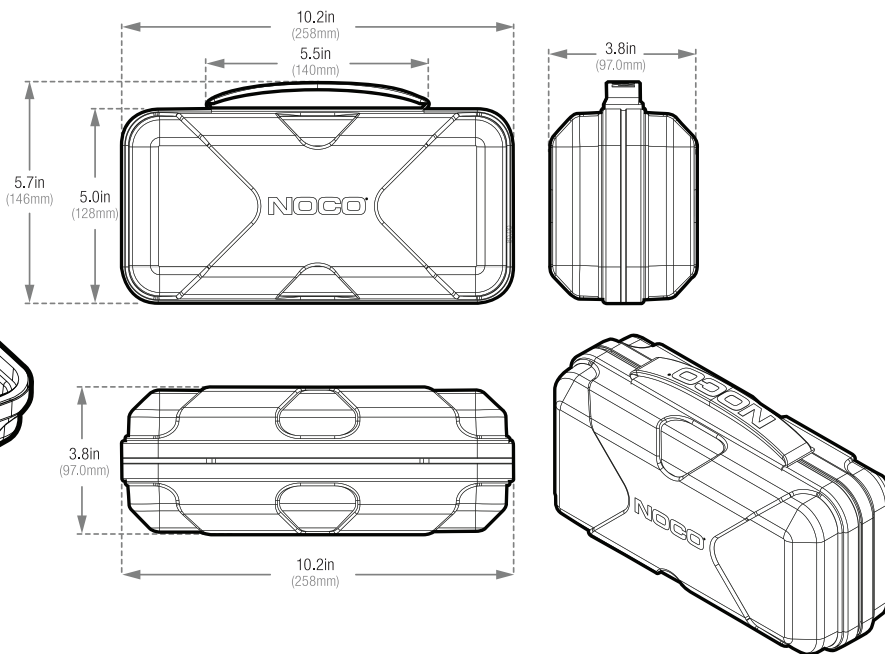
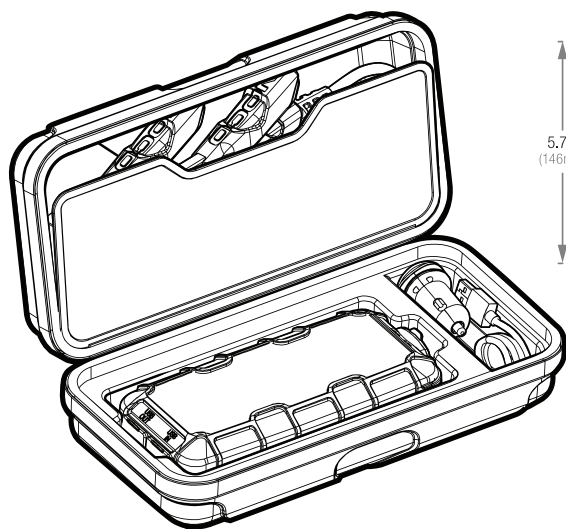
GBC013

Clamp & Accessory Pocket

Fits Additional Accessories

Fits
GB20 BOOST Sport™
GB40 BOOST Plus™

*Boost & Accessories Not Included



Retail Packaging:

Dimensions: 10.2" x 5.7" x 3.8"
Weight: 0.8lbs
UPC: 0-46221-17027-6

Master Carton:

Dimensions: 19.5" x 10.8" x 8.5"
Weight: 8.44lbs
Quantity: 6
UCC: 10046221170273

Inner Carton:

Dimensions: 10.5" x 6.3" x 3.9"
Weight: 1.0lbs

Units Per Pallet:

300 Units