

GBC013

For GB20 | GB40

BOOST SPORT/**PLUS**™ Protective Case



NOCO
Boost Accessories™

Rugged storage.

Protective EVA cases designed and made exclusively to fit Boost UltraSafe® Jump Starters.

The lightweight, durable, and rugged **GBC013** EVA Protective Case has a semi-rigid custom exterior with zipper closures and a reinforced handle. The rubberized EVA exterior offers protection from moisture, impact, dust, and other environmental factors, while the molded interior perfectly fits, stores, and protects its corresponding NOCO Genius® Boost jump starter.



Made of thermoformed EVA, the lightweight and durable molded exterior has a water resistant, rubber-like finish.

Heavy-duty reverse coil zipper with built-in reinforced handle and custom over-molded pull tab.



Boost insert molded tray interior with soft black melange velvet lining for secure fit.

Reinforced pockets for securely holding clamps, extensions or other accessories.



For **GB20** BOOST Sport & **GB40** BOOST Plus UltraSafe® Jump Starters

The NOCO Company
30339 Diamond Parkway, #102
Glenwillow, OH 44139 | USA
1.800.456.6626

no.co

NOCO
Since 1914

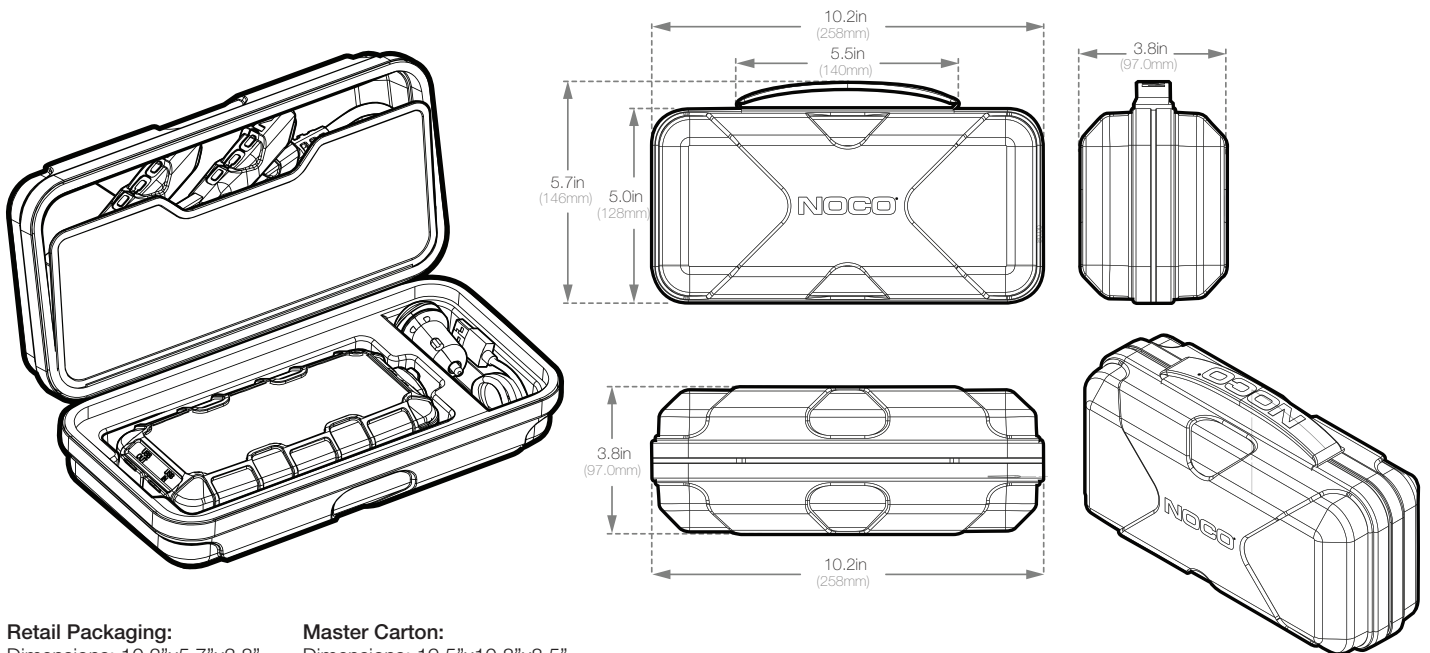
GBC013

Clamp & Accessory
Pocket

Fits Additional
Accessories

Fits
GB20 BOOST Sport™
GB40 BOOST Plus™

*Boost & Accessories
Not Included.



Retail Packaging:
Dimensions: 10.2"x5.7"x3.8"
Weight: 0.8lbs
UPC: 0-46221-17027-6
Inner Carton:
Dimensions: 10.5"x6.3"x3.9"
Weight: 1.0lbs

Master Carton:
Dimensions: 19.5"x10.8"x8.5"
Weight: 7.1lbs
Quantity: 6
UCC: 10046221170273
Units Per Pallet: 300 Units

The NOCO Company
30339 Diamond Parkway, #102
Glenwillow, OH 44139 | USA
1.800.456.6626

no.co

NOCO[®]
Since 1914