

# 12V

# 2000A

# GB70



## START DEAD BATTERIES. ULTRASAFE® LITHIUM JUMP STARTER.™

### GAS & DIESEL

#### UP TO 8.0L GAS & 6.0L DIESEL.

Designed for gas engines up to 8 liters and diesel engines up to 6 liters for cars, SUVs, trucks, boats, RVs, and more.

### USB

#### CHARGE & RECHARGE.

It's internal battery can be used to recharge any personal mobile devices like smartphones, tablets, or any other USB device, and can be recharged by any powered USB port.

### 40X

#### UP TO 40 JUMPSTARTS.

Compact, yet powerful lithium jump starter rated at 2,000 amps. Full power to jump start a vehicle up to 40 times on a single charge.

### ULTRA SAFE

#### SPARK PROOF TECHNOLOGY.

Safely connect to any 12-volt car battery with our mistake-proof design featuring spark-proof technology and reverse polarity protection.



**NOCO**

30339 Diamond Parkway, #102  
Glenwillow, OH 44139 | USA  
1.800.456.6626

no.co

LEAD ACID

WET

GEL

MF

EFB

AGM

AUTO | MARINE | RV | POWERSPORT | LAWN & GARDEN



## INTERFACE

### POWER LED

The jump starter is in standby or the battery voltage is too low for the jump starter to detect.



### POWER BUTTON

Push to turn unit "On" & "Off".



### CHARGE LED

Indicates the charge level of the internal battery.



### BOOST LED

Illuminates white when boost is active. The LED flashes white when manual override feature is active.



### LIGHT MODE BUTTON

Toggles the ultra-bright LED light through 7 light modes: 100% > 50% > 10% > SOS > Blink > Strobe > Off



### ERROR

Blinks "on" and "off" when the internal battery is too hot/too cold.

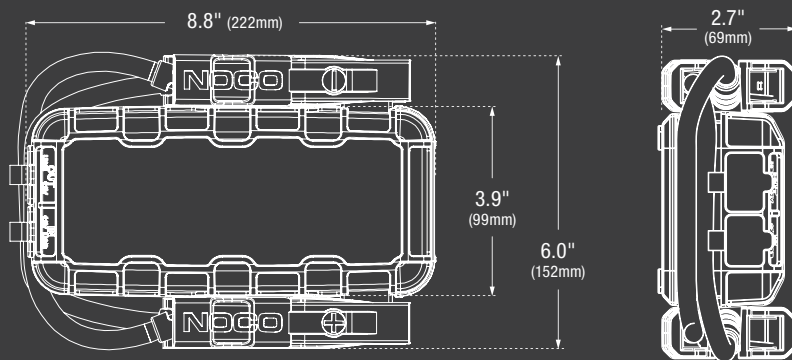


### MANUAL OVERRIDE.

Press and hold the manual override button for 3 seconds, until the Boost LED starts flashing, to enter into manual mode.



## WHAT'S IN THE BOX



\*Accessories not to scale with GB70



XGC Extension Cable



USB-MicroUSB



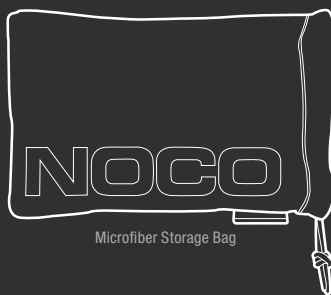
User Guide



XGC 12V Male Adapter



XGC 12V Female Adapter



Microfiber Storage Bag

## CHARGE DEVICES.

Recharge your personal devices on the go, like smartphones, tablets, e-watches and more - up to 6 smartphone recharges.

## RECHARGE TIME

0.5A	28hr
1A	14hr
2A	7hr

## TECHNICAL SPECIFICATIONS

INTERNAL BATTERY:	56 Watt-Hour Lithium Ion
PEAK CURRENT RATING:	2000A
OPERATING TEMPERATURE:	-4°F to +122°F (-20°C to +50°C)
CHARGING TEMPERATURE:	32°F to +104°F (0°C to +40°C)
MICRO USB (INPUT):	5V, 2.1A
USB (OUTPUT):	5V, 2.1A
XGC (INPUT):	12 VDC, 3A Fast Charge
XGC (OUTPUT):	12 VDC, 15A Power Supply
HOUSING PROTECTION:	IP65 (w/Ports Closed)
COOLING:	Natural Convection
UNIT WEIGHT:	4 lbs (1.81kg)
UNIT WEIGHT W/ CLAMPS & ACCESSORIES:	5 lbs (2.26kg)
LED FLASHLIGHT:	400 Lumens
VOLUMETRICS:	<b>Retail Packaging:</b> Dimensions: 7.28"x4.84"x9.80" Weight: 5.09lbs UPC: 0-46221-15005-6
	<b>Master Carton:</b> Dimensions: 15.98"x10.83"x11.50" Weight: 22.60lbs Quantity: 4 UCC: 10046221150053
	<b>Inner Carton:</b> Dimensions: 10.27"x7.72"x5.39" Weight: 5.44lbs
	<b>Units Per Pallet:</b> NA - 180 Units EU - 120 Units

**NOCO**

30339 Diamond Parkway, #102  
Glenwillow, OH 44139 | USA  
1.800.456.6626

no.co

