

15A | 80PSI

NOCO® AIR15



ULTRAFAST® PORTABLE AIR COMPRESSOR.

UNPARALLELED SPEED.

NOCO AIR has been tested and proven to operate longer and inflate faster than leading competitors. Inflate flat tires from 0 to 40 psi in under 3 minutes.

COMPACT DESIGN.

Integrated hose clips, dedicated slots for accessories, and effortless power-cord storage allow AIR to be quickly and easily stored or used.

PREMIUM BUILD.

NOCO AIR is built with solid aluminum, heavy-duty powder coat, and reinforced plastic.

LED FLASHLIGHT.

Provides a tactical-grade experience with long-range, bright illumination, controllable luminosity, and emergency modes.



NOCO®

30339 Diamond Parkway, #102
Glenwillow, OH 44139 | USA
1.800.456.6626

no.co

ULTRAFAST[®] INFLATION



SMART PRESSURE AUTO-SHUTOFF

AIR automatically shuts off upon reaching the desired pressure. Utilizing a unique algorithm — AIR achieves precise accuracy even at higher pressure.



Adapters

Integrated Hose Clip

200 W
MOTOR POWER

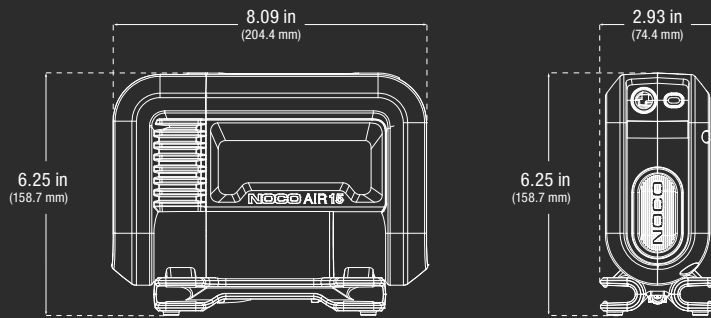
2.9 MIN 0-40 PSI
*205-65R16 95H TIRE
TIME TO INFLATE

44 SLPM
FLOW RATE

INTUITIVE INTERFACE.



WHAT'S IN THE BOX



User Guide &
Warranty Information



Microfiber Storage Bag

AIR15 Portable Air Compressor w/
3ft Braided Hose & 10ft Power Cord
+ 12V Cigarette Lighter Plug

- Needle Adapter
- Presta Valve Adapter
- Inflatable Toy Adapter

TOTAL VERSATILITY.

With its rugged portable design, integrated cord management, dedicated slots for accessories, and ultra-compact size, it can easily be stored - and ready to take on anything.

TECHNICAL SPECIFICATIONS

MAX AIRFLOW AT 0 PSI:	44 SLPM
MAX PRESSURE:	80 psi / 5.52 bar / 551.58 kPa
MOTOR RATING:	200W
MOTOR MAX CURRENT DRAW:	15A
DUTY CYCLE:	15 min @ 30PSI on time/45 min off time
MANUAL MODE DUTY CYCLE:	5 min on time/30 min off time
APPROXIMATE INFLATION TIME at 13.8V (0-40 PSI):	2.9 min +/- 10% with 205-65R16 95H Tire
AIR HOSE LENGTH:	3 ft
POWERCORD LENGTH:	10 ft
WIRE GAUGE:	16 AWG
POWER TYPE:	12V Plug
IP RATING:	IP55
COOLING:	Natural Convection
OPERATING TEMPERATURE:	-4° to 122° F (-20° to +50° C)
STORAGE TEMPERATURE:	-4° to 122° F (-20° to +50° C)
WEIGHT:	5.72 lbs (2.59 kg)
VOLUMETRICS:	Retail Packaging: Dimensions: 10.83" x 4.41" x 8.54" Weight: 7.69 lbs UPC: 0-46221-23003-1
	Master Carton: Dimensions: 11.06" x 18.5" x 11.89" Weight: 33.31 lbs Quantity: 4 ITF-14: 10046221230038
	Inner Carton: Dimensions: 11.34" x 8.98" x 5.04" Weight: 8.02 lbs
	Units Per Pallet: NA: 128 units AU/UK/HP/JP: 96 units EU/ND/RM/FN: 72 units

NOCO

30339 Diamond Parkway, #102
Glenwillow, OH 44139 | USA
1.800.456.6626

no.co

